



Payton Planar Magnetics

UP TO 350 W OFF THE SHELF SMT PLANAR TRANSFORMERS



- ☆ Power Range: up to 350W
- ☆ Input Voltage 18-36 Vdc or 36-72 Vdc.
- ☆ Height : 12 mm to 14.5 mm Max.
- ☆ Footprint : 30.0mm x 25.0 mm Max.
- ☆ Frequency Range : 200 kHz to 400 kHz
- ☆ Isolation (Primary to Secondary & Core): 1500Vdc.

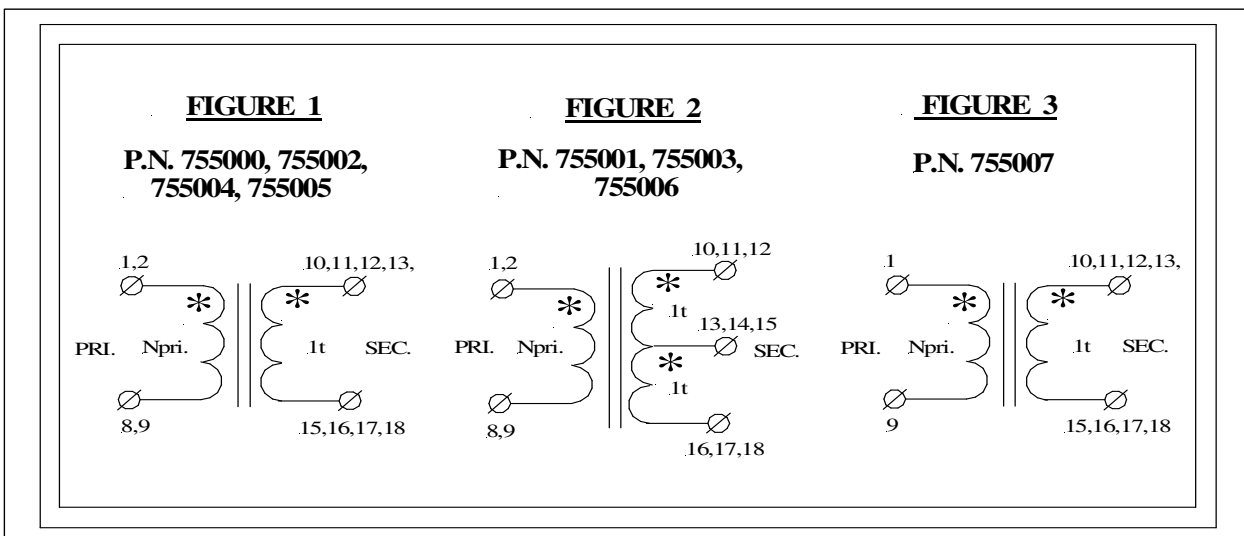


Electrical Specifications @ 25°C -- Operating Temperature -40°C to +125°C

Part Number	Fig.	Primary Side					Secondary Side			Maximum Height H [mm]
		Input Voltage [Vdc]	Number of Turns	Inductance [μH MIN]	Leakage Inductance [μH MAX]	DCR Max. [mΩ]	Output Voltage [Vdc]	Number of Turns	DCR Max. [mΩ]	
755000	1, 4, 8	18 - 36	3	20	0.09	1.1	3.5	1	0.085	13.5
755001	2, 6, 9	18 - 36	3	20	0.06	1.1	7	2	0.45	13.5
755002	1, 5, 8	18 - 36	4	35	0.27	1.7	2.5	1	0.085	13.5
755003	2, 7, 9	18 - 36	4	35	0.12	1.7	5	2	0.45	13.5
755004	1, 5, 8	36 - 72	4	35	0.15	2.1	5	1	0.092	12
755005	1,10	36 - 72	6	80	0.38	3.5	3.5	1	0.085	14.5
755006	2, 11	36 - 72	6	80	0.49	3.5	7	2	0.45	14.5
755007	3, 12	36 - 72	8	140	0.55	6.5	2.5	1	0.085	14.5

- Notes:**
1. Leakage inductance is measured on winding (1, 9) with (10, 18) shorted.
 2. Maximum operating temperature means the maximum ambient plus temperature rise of the transformer.
 3. The Transformer should be attached to a Heat Sink (PCB with Aluminum substrate) of a maximum 70°C temperature.

Electrical diagrams





Payton Planar Magnetics

Mechanical Specifications

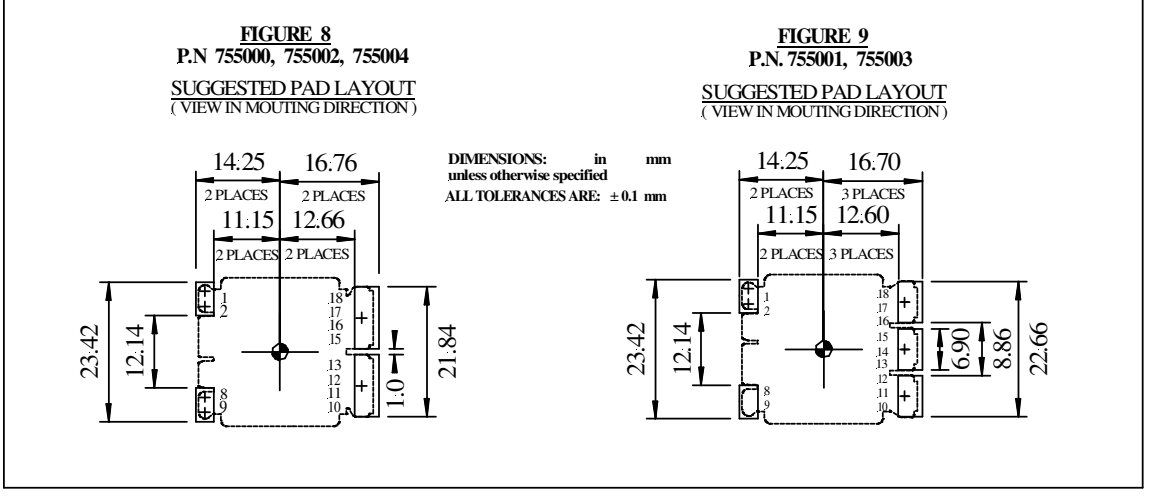
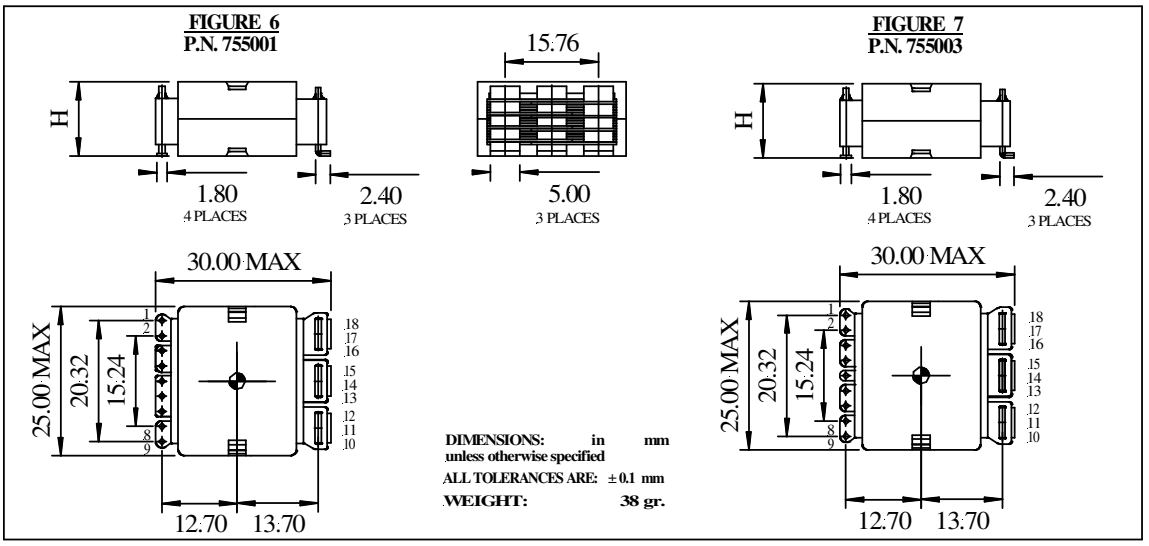
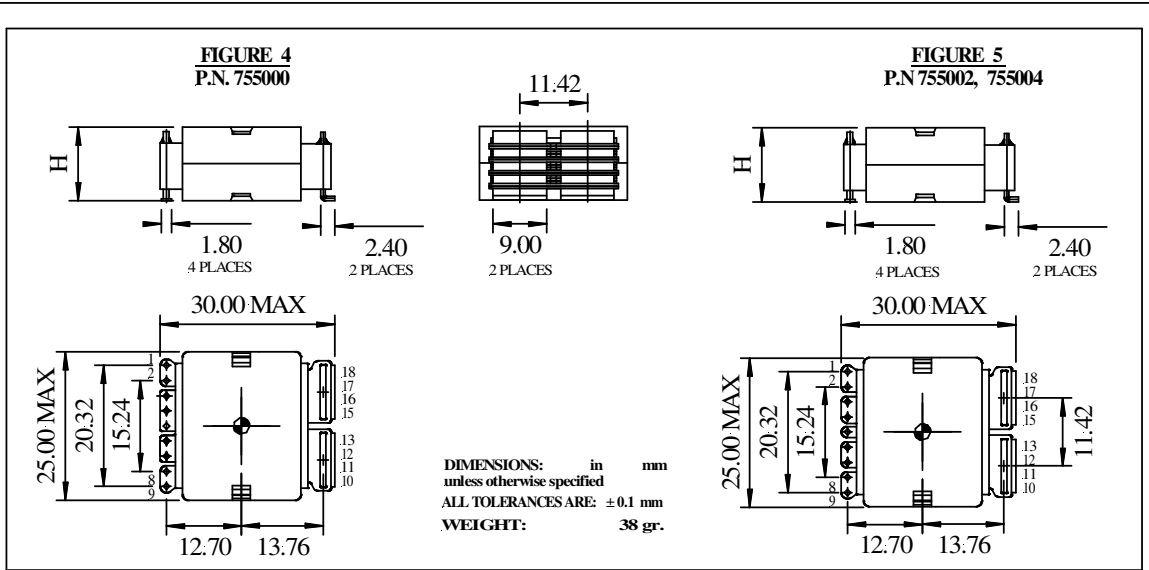
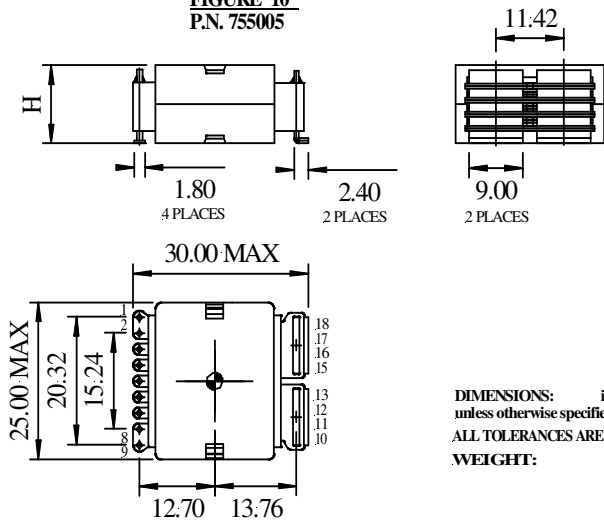
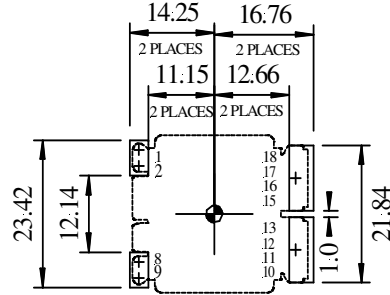


FIGURE 10
P.N. 755005

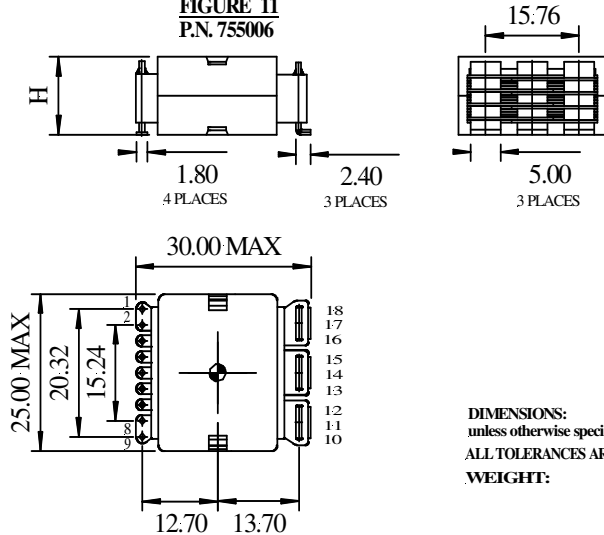


SUGGESTED PAD LAYOUT
(VIEW IN MOUNTING DIRECTION)

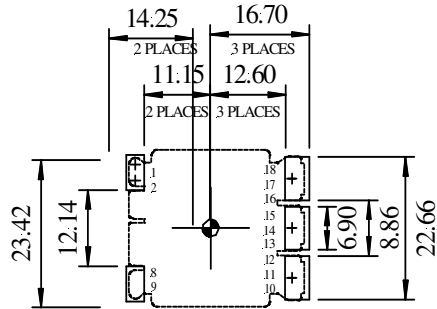


DIMENSIONS: in mm
unless otherwise specified
ALL TOLERANCES ARE: ±0.1 mm
WEIGHT: 38 gr.

FIGURE 11
P.N. 755006

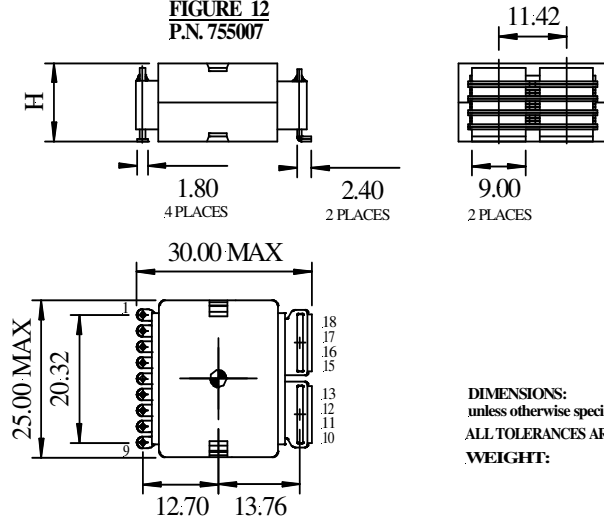


SUGGESTED PAD LAYOUT
(VIEW IN MOUNTING DIRECTION)

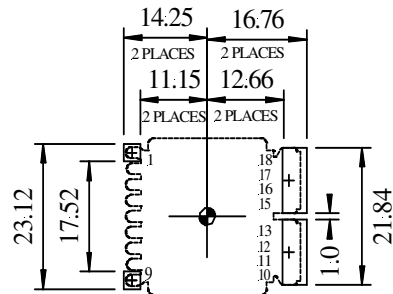


DIMENSIONS: in mm
unless otherwise specified
ALL TOLERANCES ARE: ±0.1 mm
WEIGHT: 38 gr.

FIGURE 12
P.N. 755007



SUGGESTED PAD LAYOUT
(VIEW IN MOUNTING DIRECTION)



DIMENSIONS: in mm
unless otherwise specified
ALL TOLERANCES ARE: ±0.1 mm
WEIGHT: 38 gr.